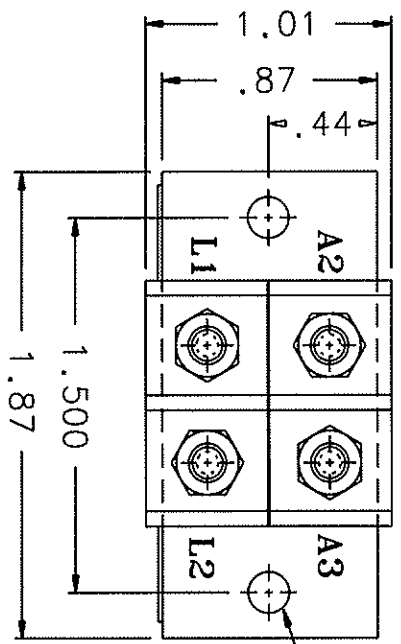
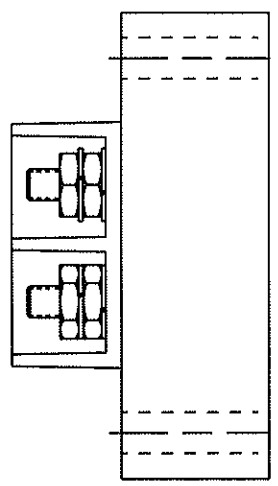
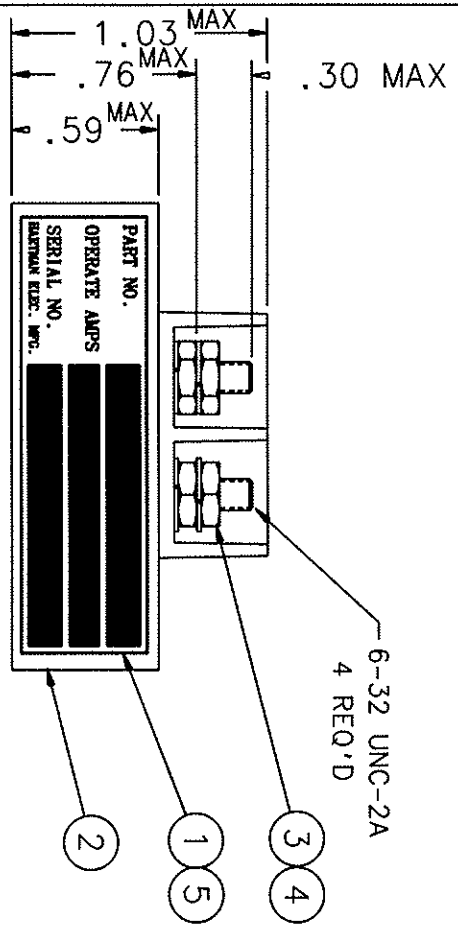


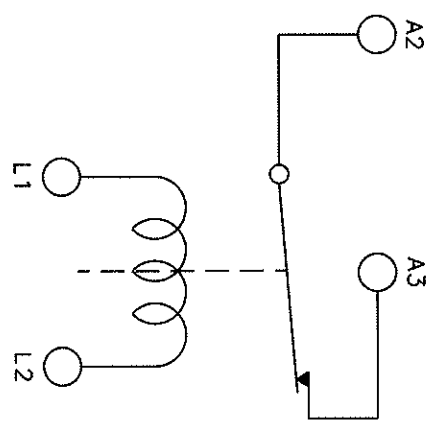
REVISIONS		RELEASED	REV.
REV.	DESCRIPTION	DATE	APPROVED
H	REDRAWN, *MAX* ADDED TO .59, FIND NO 5 ADDED	99/09/27	RS
J	*MAX* ADDED TO .76 & 1.03	00/02/01	RS



2 : 166 DIA. HOLE
4 : 4 REQ'D



6-32 UNC-2A
4 REQ'D



OPERATING CHARACTERISTICS
 PICKUP 3 1/2 AMPS D.C. MAX.
 DROPOUT 1 1/2 AMP MIN
 CONTINUOUS 20 AMPS MAX
 MAX. WEIGHT 1.25 OZ.
 TEMP -55°C TO +71°C
 VIBRATION 10 G's TO 500HZ
 ALTITUDE 50,000 FT. MAX.
 CONTACT RATING .25 AMP RES 28 VDC
 LAMP LOAD .08 AMP 28 VDC

FIND NO	QTY REQ'D	PART OR IDENTIFYING NO	NOMENCLATURE OR DESCRIPTION	CAGE NO	DRAWING OR SPECIFICATION	MATERIAL OR NOTE
5	1	39529-024	OVERLAY			
4	4	51806-014	WASHER - LOCK No. 6 SPLIT			
3	4	50406-034	NUT 6-32 X 1/4 X 5/64 HEX.			
2	1	35190-010	RELAY ASSEMBLY - PRIMARY			
1	1	34246-001	PLATE - NAME			

UNLESS OTHERWISE SPECIFIED DIMENSIONS ARE IN INCHES TOLERANCES ARE: ±.06 ±.010 ±.1*

DR BY: RLS 00/02/25
 CHK BY: RLS 00/02/25
 ENGR: RLS 00/02/25
 MFG: 00/02/25

HARTMAN ELECTRICAL MANUFACTURING
 MANSFIELD, OHIO

RELAY - CURRENT INDICATOR
 20 AMP CONTINUOUS
 SIZE CODE IDENT DWG NO. Q-50A
 CONTR NO. 74063
 SCALE NONE SHEET

PART NO. [REDACTED]
 OPERATE AMPS [REDACTED]
 SERIAL NO. [REDACTED]
 HARTMAN Elec. Mfg. [REDACTED]